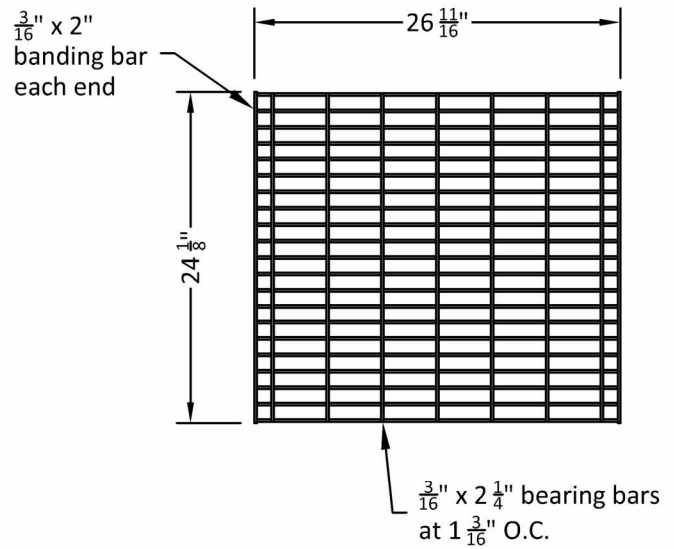
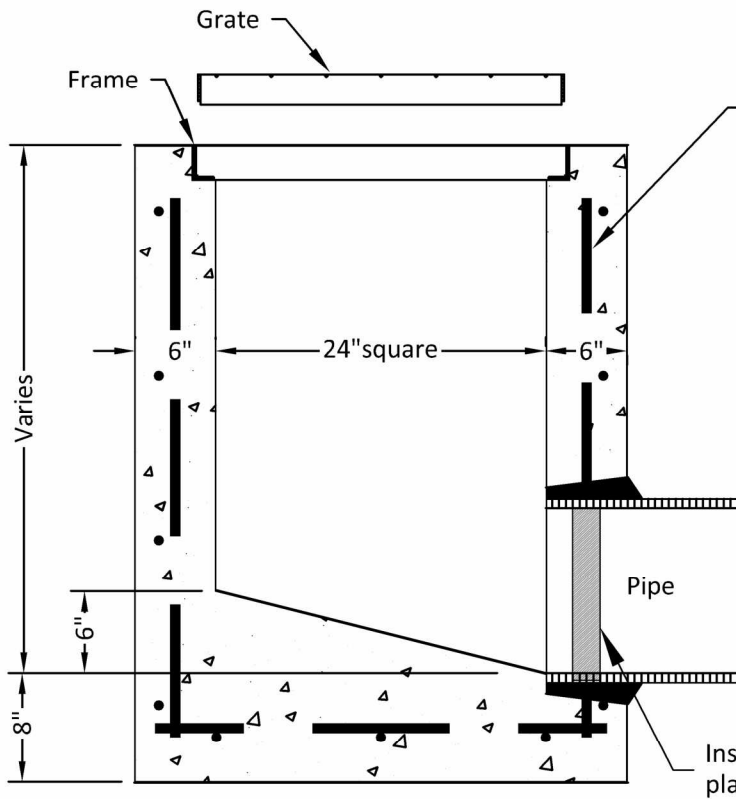


FRAME DETAIL



GRATE DETAIL



SECTION

#4 reinforcing bar  
@ 12" O.C. both ways

NOTES:

1. Box may be poured in place or pre-cast
2. Base to be poured on undisturbed earth or 12" min Class 2 aggregate base.
3. Frame and grate shall be Santa Rosa Cast Products Model 2K (Heavy) or approved equal.
4. Material to be hot dipped galvanized after fabrication.
5. Private catch basins:  
Stencil curb adjacent to catch basin with "No Dumping! Flows to [creek-name] message"
6. Public ROW catch basins:  
Install and wet set stainless steel medallion with "No Dumping" message provided by the City.

Install water stop if pipe is plastic

Rev	By	Date
0	DWH	12/14/92
1	RTN	06/10/17
2	VLT	01/27/26
Scale: NTS		

**Catch Basin  
Away from Curb**

**City of Palo Alto Standard**

Approved by:  
*Gregory Boyd*

PE No. 65449  
Date 09/30/27

Dwg No. **304**